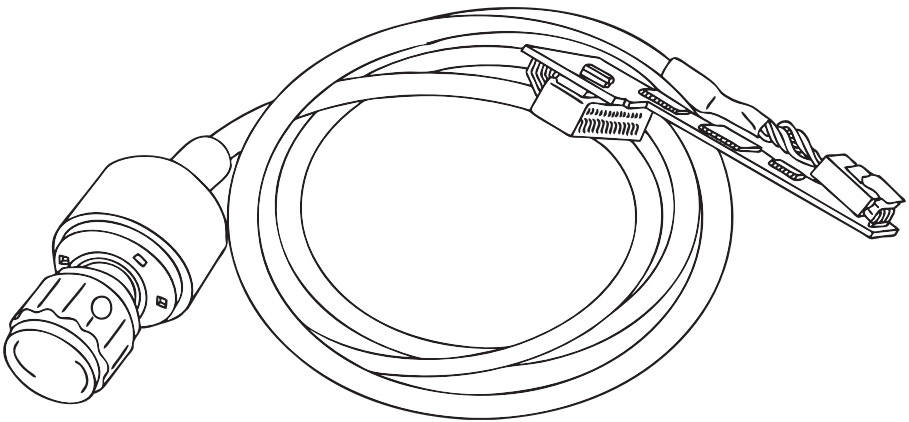


Pacific Performance Engineering, Inc.
www.ppediesel.com



6 Position Flip Chip
Ford 1995 - 2003
(3110150)

Installation Guide

DISCLAIMER OF LIABILITY

This is a performance product which increases horsepower above factory specifications. Additional horsepower creates more stress on your vehicle's drivetrain components which may result in drivetrain failure. This product is intended for off-road use only. Use at your own risk!

This agreement sets forth the terms and conditions for the use of this product. The installation of this product indicates that the Buyer has read and understands this agreement and accepts the terms and conditions.

Pacific Performance Engineering Inc., its distributors, employees, and dealers (the "Seller") shall not be responsible for this product's improper use and service. The Buyer hereby waives all liability claims.

The Buyer hereby acknowledges no reliance on the Seller's skill or judgment to select or furnish goods suitable for any particular purpose and that there are no liabilities which extend beyond the description on the face hereof, and the Buyer hereby waives all remedies or liabilities expressed or implied, arising by law or otherwise (including without any obligation of the Seller with respect to fitness, merchantability and consequential damages), or whether or not occasioned by the Seller's negligence.

The Seller disclaims any warranty and expressly disclaims any liability for personal injury or damages. The Buyer acknowledges and agrees that the disclaimer of any liability for personal injury is a material term for this agreement and the Buyer agrees to indemnify the Seller and to hold the Seller harmless from any claim related to the item of equipment purchased. Under no circumstances will the Seller be liable for any damages or expenses by reason of use or sale of any such equipment.

The Seller assumes no liability regarding the improper installation or misapplication of its products. It is the installer's responsibility to check for proper installation and if in doubt, contact the manufacturer.

The Buyer is solely responsible for all warranty issues from the manufacturer.

LIMITATION OF WARRANTY

The Seller gives Limited Warranty as to description, quality, merchantability, and fitness for a particular purpose, productiveness, or any other matter of Seller's product sold herewith. The Seller shall not be responsible for the products proper use and service and the Buyer hereby waives all rights other than those expressly written herein. This warranty shall not be extended, altered or varied except by a written instrument signed by Seller and Buyer.

The Warranty is limited to one (1) year from the date of sale and limited solely to the parts contained within the products kit. All products that are in question of Warranty must be returned prepaid to the Seller and must be accompanied by a dated proof of purchase receipt. All Warranty claims are subject to approval by Seller.

Under no circumstances will the Seller be liable for any labor charged or travel time incurred in diagnosis for defects, removal, or reinstallation of this product or any other contingent expenses.

Under no circumstances will the Seller be liable for any damage or expenses incurred by reason of the use or sale of any such equipment.

In the event that the Buyer does not agree with this agreement; the Buyer may promptly return this product, in a new and unused condition in its original packaging, with a dated proof of purchase to the place of purchase within ten (10) days from date of purchase for a full refund.

The installation of this product indicates that the Buyer has read and understands this agreement and accepts its terms and conditions.

STEP 1

the keys from the ignition and disconnect both batteries. Failure to do so may cause damage to the computer and chip.

STEP 2

Locate the factory computer inside the cab. On 99-03 Trucks the computer is located beside the emergency brake bracket. On 95-97 trucks the computer is located behind the emergency brake bracket. To remove the bracket remove the (3) 13mm nuts from the bracket, for 95-97 trucks skip to step #7.

STEP 3

On the 99-03 trucks you must now locate the wiring harness on the fire wall in the engine compartment that goes to the factory computer. It is the harness closest to the fender and has a 10mm bolt holding it to the computer. Remove the 10mm bolt and slide the connection out of the firewall.

STEP 4

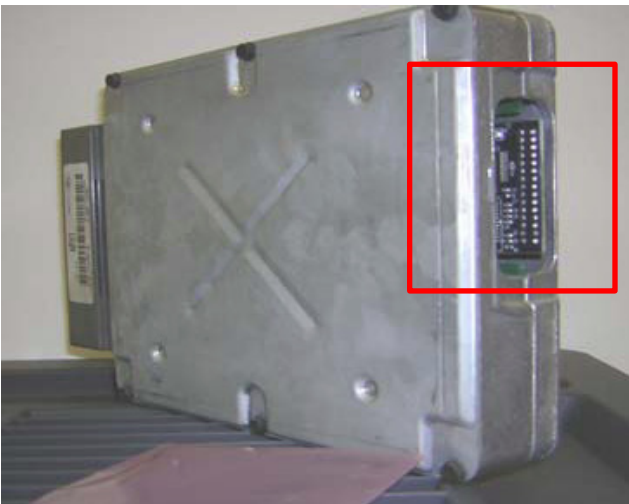
Go back inside the cab and remove the (2) 7mm bolts holding the computer in place. If your truck is a manual, remove the 10mm nut from the bottom of the bracket holding the computer and the 10mm bolt holding the top

STEP 5

Once you have the computer loose, slide the computer and bracket out slowly

STEP 6

Remove the computer from the plastic housing and remove the cap to expose the terminals as shown below.



STEP 7

The terminals are coated in a rubberized protective coating. Use the supplied Scotch Brite Pad and Lacquer thinner to remove the coating. You will also need to use a small flat head screw driver to scrape the terminals. Repeat this process 2-3 times to make sure you get a clean connection. Remember 95% of problems with the chip are due to insufficient cleaning of the connection

STEP 8

Once you feel the connections are good and clean, place the chip on to the terminals. If you purchased a multi-position chip you will need to plug the switch into the chip first

STEP 9

Now slide the computer back into the plastic housing with the side of the computer with an "X" positioned toward the fender. Replace the bolts you removed earlier holding the computer in place

STEP 10

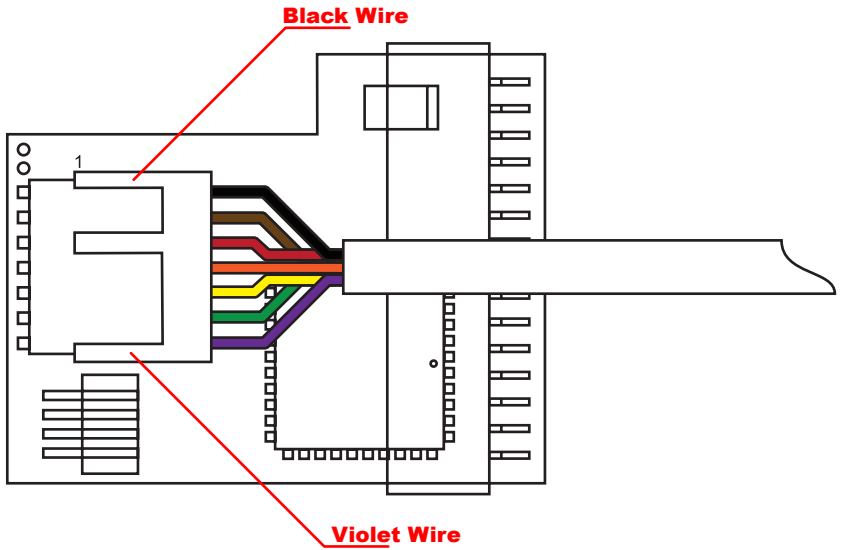
Now reattach the wiring harness going through the firewall and tighten the 10mm bolt

STEP 11

Reconnect the batteries and start the truck

STEP 12

If the truck fails to start, remove the computer again and try cleaning the terminals again



Notes:

Cable installed with black wire to outside of the module.



PACIFIC PERFORMANCE ENGINEERING

Pacific Performance Engineering, Inc.
303 N. Placentia Avenue
Fullerton, CA 92831

www.ppediesel.com
sales@ppediesel.com
Phone: (714) 985-4825
Fax: (714) 985-9907