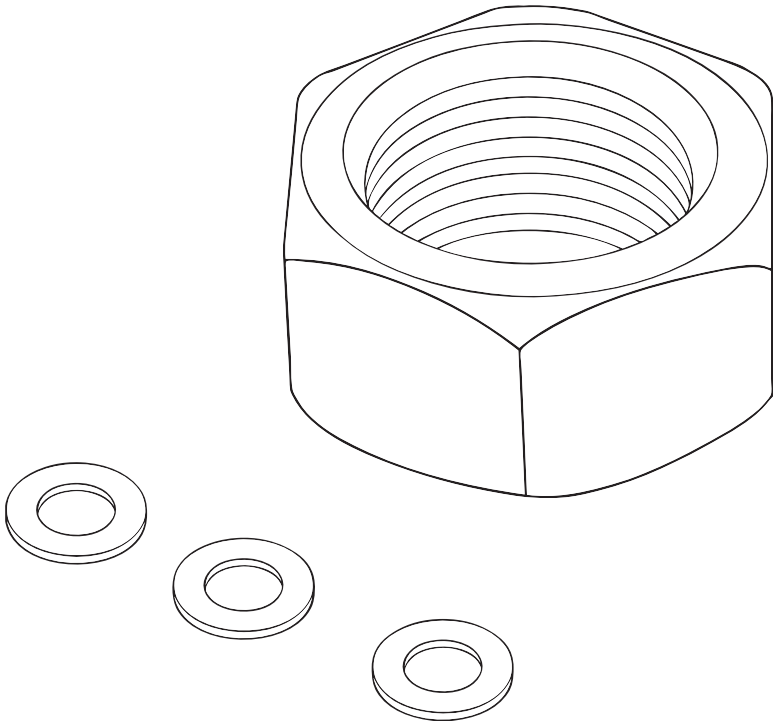
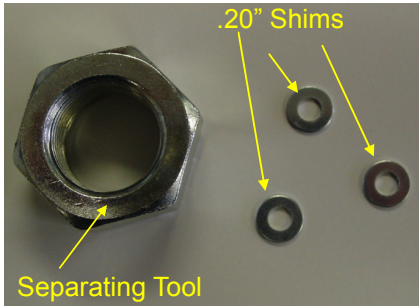


Pacific Performance Engineering, Inc.
www.ppediesel.com



GM 6.6L DURAMAX LLY/LBZ
Shim Kit
Installation Guide



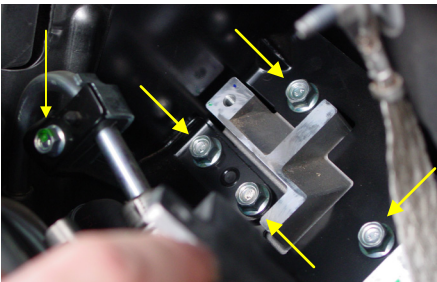
Step 1

Locate the glow plug controller mounted on driver side firewall. Remove 2 bolts holding the controller case cover.



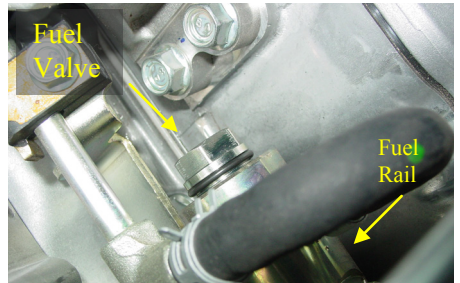
Step 2

Remove the 5 bolts shown below. Remove black metal casing under bolts to access the Fuel Pressure Valve.



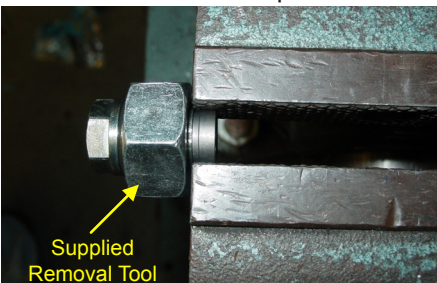
Step 3

Fuel Pressure Valve can now be seen after removing the glow plug controller assembly. Unscrew valve and remove from fuel rail.



Step 4

Take valve and thread the supplied nut tool onto the valve. Then place the valve in a vice, clamping down on the side of the valve cap.



Step 5

Use a wrench to unscrew the supplied nut in order to remove the valve cap. Be careful to hold the end of valve while doing this! It is spring loaded and you don't want to lose the parts.



Step 6

Another view of removing the valve cap after loosening in step 5.



Step 8

Replace valve spring and then cap. Note that there are 3 holes in a triangle position on the inside of the valve cap that does not need to be removed from cap and should face towards the spring as it did when it was removed; hole alignment is not necessary.



Step 10



make sure that the valve cap is held by the indentations. Then install the valve back in your vehicle. Replace the black metal casing, and reassemble the Glow Plug Controller Casing.

Step 7

Remove the metal spring, then insert the two supplied metal shims into the valve. 3 shims are supplied with the DURAMAXIMIZER, however only 2 need to be used.



Step 9

Place the valve back in the vice, now place a thick piece of cardboard (or piece of wood) behind valve cap to prevent damage to the valve seal surface. Tighten the vice so that the valve cap re-enters the valve until fully seated. No need to overtighten, just tighten until snug.



Take a small punch and small hammer and re-strike the 3 factory indentations along the lip where the valve casing covers the valve cap. You may need to loosen the vice slightly to rotate the valve to gain access to all 3 indentations, but do not let the spring push the cap out! Make sure that the cap stays fully seated in the valve while rotating it. After doing so loosen the vice and

DISCLAIMER OF LIABILITY

This is a performance product which can be used with increased horsepower above and beyond factory specifications. Additional horsepower creates more stress on the drivetrain components, which could result in drivetrain failure. This product is intended for off-road use only. Use at your own risk.

This agreement sets forth the terms and conditions for the use of this product. The installation of this product indicates that the Buyer has read and understands this agreement and accepts the terms and conditions.

Pacific Performance Engineering Inc., its distributors, employees, and dealers (the "Seller") shall not be responsible for the product's proper use and service. The buyer hereby waives all liability claims.

The Buyer hereby acknowledges no reliance on the Sellers skill or judgment to select or furnish goods suitable for any particular purpose and that there are no liabilities which extend beyond the description on the face hereof, and the Buyer hereby waives all remedies or liabilities expressed or implied, arising by law or otherwise (including without any obligation of the Seller with respect to fitness, merchantability and consequential damages), or whether or not occasioned by the Seller's negligence. The Seller disclaims any warranty and expressly disclaims any liability for personal injury or damages. The Buyer acknowledges and agrees that the disclaimer of any liability for personal injury is a material term for this agreement and the Buyer agrees to indemnify the Seller and to hold the Seller harmless from any claim related to the item of equipment purchased. Under no circumstances will the Seller be liable for any damages or expenses by reason of use or sale of any such equipment. The Seller assumes no liability regarding the improper installation or misapplication of its products. It is the installer's responsibility to check for proper installation and if in doubt contact the manufacturer.

The Buyer is solely responsible for all warranty issues from the manufacturer.

LIMITATION OF WARRANTY

The Seller gives Limited Warranty as to description, quality, merchantability, and fitness for a particular purpose, productiveness, or any other matter of Seller's product sold herewith. The Seller shall not be responsible for the products proper use and service and the Buyer hereby waives all rights other than those expressly written herein. This warranty shall not be extended, altered or varied except by a written instrument signed by Seller and Buyer.

The Warranty is limited to two (2) years from the date of sale and limited solely to the parts contained within the products kit. All products that are in question of Warranty must be returned prepaid to the Seller and must be accompanied by a dated proof of purchase receipt. All Warranty claims are subject to approval by Seller. Under no circumstances will the Seller be liable for any labor charged or travel time incurred in diagnosis for defects, removal, or reinstallation of this product or any other contingent expenses.

Under no circumstances will the Seller be liable for any damage or expenses incurred by reason of the use or sale of any such equipment. In the event that the buyer does not agree with this agreement: the buyer may promptly return this product, in a new and unused condition in its original packaging, with a dated proof of purchase to the place of purchase within ten (10) days from date of purchase for a full refund. The installation of this product indicates that the buyer has read and understands this agreement and accepts its terms and conditions.



Pacific Performance Engineering, Inc.
303 N. Placentia Avenue
Fullerton, CA 92831

www.ppediesel.com
sales@ppediesel.com
Phone: (714) 985-4825
Fax: (714) 985-9907